

Locking Devices



20 Amp Plugs, Connectors Flanged Devices and Receptacles

20A 125V, 250V, 277V AC, 480V AC and 600V AC Locking Devices,
2-Pole 3-Wire Grounding Inches (mm)

TECH·SPEC®

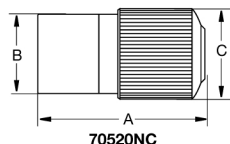
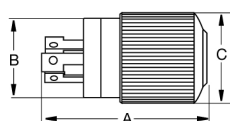


Rating	Cord Diameter	Description	Tripple Gripper		Flanged Devices Equipment Base with Nylon White Cup		Weather Protective Power Inlets Die Cast Aluminum Plate*	Single Nylon Receptacle, All Black
			Nylon Plug	Nylon Connector	Male	Female		
NEMA L5-20, 20A 125V Plug Connector 	.300"-.655" (7.6-16.6)	Black/White	70520NP	70520NC	70520MB	70520ER	70520MBWP	—
		All Black	70520NPB	70520NCB	—	—	—	70520FR
		Corrosion-Resistant Yellow/White	70520NPCR	70520NCCR	—	—	—	70520FRCR
		Isolated Ground Orange	—	—	—	—	—	70520IG
NEMA L6-20, 20A 250V Plug Connector 	.300"-.655" (7.6-16.6)	Black/White	70620NP	70620NC	70620MB	70620ER	70620MBWP	70620FR
		Corrosion-Resistant Yellow/White	70620NPCR	70620NCCR	—	—	—	—
		Isolated Ground Orange	—	—	—	—	—	70620IG
NEMA L7-20, 20A 277V AC Plug Connector 	.300"-.655" (7.6-16.6)	Black/White	70720NP	70720NC	70720MB	70720ER	—	70720FR
NEMA L8-20, 20A 480V AC Plug Connector 	.300"-.950" (7.6-24.1)	Black/White	70820NP	70820NC	70820MB	70820ER	—	70820FR
NEMA L9-20, 20A 600V AC Plug Connector 	.300"-.950" (7.6-24.1)	Black/White	70920NP	70920NC	70920MB	70920ER	—	70920FR

Note: *Supplied with gaskets, mounting screws and spring-loaded, self-closing lift cover.
See Section C for more information on isolated ground devices and Section I for more information on corrosion-resistant devices.
See page G-20 for weather protective boots for 20 amp nylon locking plugs.

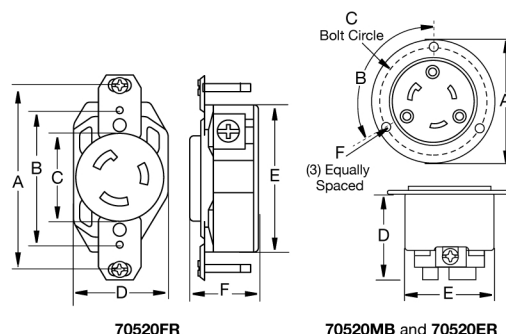
Product Dimensions Inches (mm)

Plug	
A	2.86" (72.4)
B	1.89" (48.0)
C	2.13" (54.1)
Connector	
A	3.90" (99.1)
B	1.89" (48.0)
C	2.13" (54.1)



	Receptacle	Flanged Devices
	Single	Male/ Female
A	3.28" (83.3)	2.88" (73.2)
B	2.38" (60.5)	120°
C	1.56" (39.6)	2.00" (50.8)
D	1.70" (43.2)	2.02" (51.3)
E	2.67" (67.8)	2.05" (52.1)
F	1.24" (31.5)	(3) 0.19" (4.8)

Note: See page R-8 for horsepower ratings.





Locking Devices

20 Amp Plugs, Connectors Flanged Devices and Receptacles

20A 125/250V, 3Ø 250V AC and 3Ø 480V AC Locking Devices,
3-Pole 3-Wire and 3-Pole 4-Wire Grounding Inches (mm)

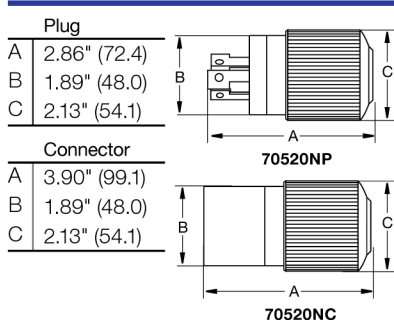
TECH-SPEC®



Rating	Poles/ Wires	Cord Diameter	Description	Tripple Gripper		Flanged Devices Equipment Base with Nylon White Cup		Weather Protective Power Inlets Die Cast Aluminum Plate*	Single Nylon Receptacle, All Black
				Nylon Plug	Nylon Connector	Male	Female		
NEMA L10-20, 20A 125/250V AC Plug Connector	3-Pole 3-Wire	.300"-.655" (7.6-16.6)	Black/White	71020NP	71020NC	71020MB	71020ER	—	71020FR
NEMA L11-20, 20A 3Ø 250V AC Plug Connector	3-Pole 3-Wire	.300"-.655" (7.6-16.6)	Black/White	71120NP	71120NC	71120MB	71120ER	—	71120FR
NEMA L12-20, 20A 3Ø 480V AC Plug Connector	3-Pole 3-Wire	.300"-.655" (7.6-16.6)	Black/White	71220NP	71220NC	71220MB	71220ER	—	71220FR
NEMA L14-20, 20A 125/250V AC Plug Connector	3-Pole 4-Wire	.465"-1.150" (11.8-29.2)	Black/White	71420NP	71420NC	71420MB	71420ER	71420MBWP	71420FR
			Isolated Ground Orange	—	—	—	—	—	71420IG
NEMA L15-20, 20A 3Ø 250V AC Plug Connector	3-Pole 4-Wire	.465"-1.150" (11.8-29.2)	Black/White	71520NP	71520NC	71520MB	71520ER	71520MBWP	71520FR
NEMA L16-20, 20A 3Ø 480V AC Plug Connector	3-Pole 4-Wire	.465"-1.150" (11.8-29.2)	Black/White	71620NP	71620NC	71620MB	71620ER	71620MBWP	71620FR

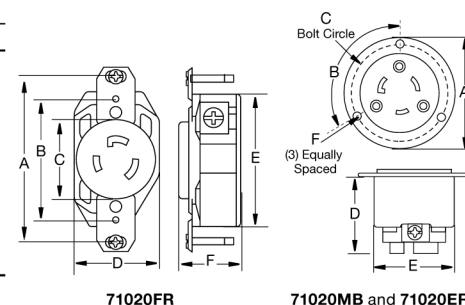
Note: *Supplied with gaskets, mounting screws and spring-loaded, self-closing lift cover.
See Section C for more information on isolated ground devices and Section I for more information on corrosion-resistant devices.
See page G-20 for weather protective boots for 20 amp nylon locking plugs.

Product Dimensions Inches (mm)



Receptacle	Flanged Devices	
	71020MB/ER	71520MB/ER
Single		
A	3.28" (83.3)	2.88" (73.2)
B	2.38" (60.5)	120°
C	1.56" (39.6)	2.50" (63.5)
D	1.70" (43.2)	2.02" (51.3)
E	2.67" (67.8) 71520FR	2.12" (53.8)
	2.50" (63.5) 71020FR	2.16" (54.9)
F	1.14" (29.0) 71520FR	(3) 0.19" (4.8)
	0.98" (25.0) 71020FR	(3) 0.19" (4.8)

Note: See page R-8 for horsepower ratings.



Locking Devices



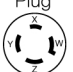

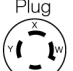

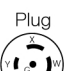

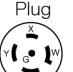





20 Amp Plugs, Connectors Flanged Devices and Receptacles

20A 3ØY 120/208V AC, 3ØY 277/480V AC and 3ØY 347/600V AC Locking Devices,
4-Pole 4-Wire and 4-Pole 5-Wire Grounding Inches (mm)

TECH·SPEC®

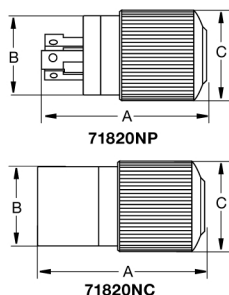


Rating	Poles/ Wires	Cord Diameter	Description	Tripple Gripper		Flanged Devices Equipment Base with Nylon White Cup		Single Nylon Receptacle, All Black
				Nylon Plug	Nylon Connector	Male	Female	
NEMA L18-20, 20A 3ØY 120/208V AC	4-Pole 4-Wire	.465"-1.150" (11.8-29.2)	Black/White	71820NP	71820NC	71820MB	71820ER	71820FR
 								
NEMA L19-20, 20A 3ØY 277/480V AC	4-Pole 4-Wire	.465"-1.150" (11.8-29.2)	Black/White	71920NP	71920NC	71920MB	71920ER	71920FR
 								
NEMA L20-20, 20A 3ØY 347/600V AC	4-Pole 4-Wire	.465"-1.150" (11.8-29.2)	Black/White	72020NP	72020NC	72020MB	72020ER	72020FR
 								
NEMA L21-20, 20A 3ØY 120/208V AC	4-Pole 5-Wire	.465"-1.150" (11.8-29.2)	Black/White All Black Isolated Ground Orange	72120NP 72120NPB	72120NC 72120NCB	72120MB —	72120ER —	— 72120FR 72120IG
 								
NEMA L22-20, 20A 3ØY 277/480V AC	4-Pole 5-Wire	.465"-1.150" (11.8-29.2)	Black/White	72220NP	72220NC	72220MB	72220ER	72220FR
 								
NEMA L23-20, 20A 3ØY 347/600V AC	4-Pole 5-Wire	.465"-1.150" (11.8-29.2)	Black/White	72320NP	72320NC	72320MB	72320ER	72320FR
 								

Note: *Supplied with gaskets, mounting screws and spring-loaded, self-closing lift cover.
See Section C for more information on isolated ground devices and Section I for more information on corrosion-resistant devices.
See page G-20 for weather protective boots for 20 amp nylon locking plugs.

Product Dimensions Inches (mm)

Plug	
A	2.86" (72.4)
B	1.89" (48.0)
C	2.13" (54.1)
Connector	
A	3.90" (99.1)
B	1.89" (48.0)
C	2.13" (54.1)



	Receptacle	Flanged Devices
	Single	Male/ Female
A	3.28" (83.3)	3.06" (77.7)
B	2.38" (60.5)	120°
C	1.56" (39.6)	2.68" (68.1)
D	1.70" (43.2)	2.03" (51.6)
E	2.67" (67.8)	2.16" (54.9)
F	1.24" (31.5)	(3) 0.19" (4.8)

Note: See page R-8 for horsepower ratings.

